

WatchGuard® SSL 100 and SSL 560

For anywhere, anytime secure remote access

Recommended for businesses with up to 500+ concurrent remote users

The WatchGuard® SSL 100 and SSL 560 are affordable, easy-to-use secure remote access appliances that provide reliable connectivity to corporate data and resources for anywhere, anytime productivity.

The beauty of these products is their flexibility. The SSL appliance allows a business to make its secure remote connectivity deployment as simple or as sophisticated as its business requirements dictate, and at a very attractive price.

For businesses looking for extreme ease of use, this means remote access to standard network resources can be maintained with virtually no management overhead. And for end users, remote access is a breeze.

Businesses with more complex needs can choose to use a mix of both tunnel and portal-based resources, provide technical support to a remote user's desktop, and control access based on a granular user/device criteria.

WatchGuard SSL appliances allows you to deliver **the level of remote access you need, at a price you can afford.**

Earth-friendly technology

What a WatchGuard® SSL appliance provides for your business:

INCREASED PRODUCTIVITY

- Remote employees have easy access to essential corporate resources including email, web conferencing, and CRM from any web-enabled device.
- Optional non-native applications, including SSH and RDP, can be delivered through a remote user's web browser for maximum productivity.
- Time-to-value is determined in minutes. Basic configuration enables end users to simply double-click an icon and authenticate, and the access client automatically loads, establishing an SSL tunnel for complete access to the backend network.
- Bi-directional tunneling allows your helpdesk to connect to a remote employee's device to troubleshoot technical problems or update software.

EASE OF USE

- An all-in-one appliance with configuration wizards and auto-populated default settings. Just plug and play – with no other software components to buy, install, or manage.
- Users log on once and have access to everything in the portal – no need for them to waste time repeatedly re-authenticating themselves.
- You can have the appliance up and running quickly. Configure it & forget it, with no thick client to manage.
- Consolidated auditing collects all information about access, identity, and system events in a central repository for quick insight into user and system-based activities.

GREATER SECURITY

- Comprehensive endpoint integrity checking ensures network protection by allowing organizations to configure and enforce endpoint compliance including checks for anti-virus, anti-spyware, firewall software, and many other device attributes.
- Session clean up removes all traces of access from the endpoint – including file deletion and cache cleaning – to prevent data leakage through another user's covert re-entry to network resources.
- Local and third party authentication support, including strong authentication, ensures only authorized users can access the network, keeping intruders out.

FLEXIBILITY

- Client and clientless access – including 32-bit and 64-bit XP, Vista, and Windows 7 support.
- Can be used for the simplest deployment, or IT administrators can take it to the next level by taking advantage of endpoint integrity checking, optional Java-based application delivery, bi-directional tunneling, and more.
- Uniquely capable of supporting any class of application. Administrator can choose to publish only web applications, create tunnels to network or specific resources, as well as deliver optional applications to the desktop for more sophisticated use.
- IT administrators can integrate solution with existing third-party authentication solution, such as Microsoft Active Directory, or rely on onboard LDAP server to configure local authentication, as well as use built-in two-factor authentication including SMS-based tokens and web keypad for identity validation.
- Information in audit logs can be shown in multiple graphical formats for current & historical reporting, and exported to third-party utilities, such as Excel or Crystal Reports, for further data mining and asset management.



WatchGuard SSL

SSL 100

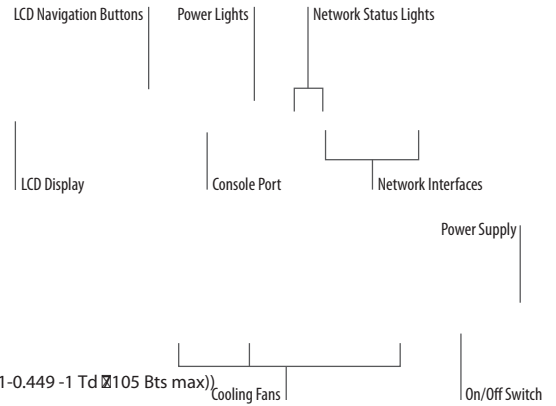
SSL 560

Connections

Concurrent users*	100	500
User pack included	25 (upgradeable to 50 or 100)	250 (upgrade able to 500)

Dimensions and Power

Product Dimensions	1.75" x 16.75" x 14.25" (4.5 x 42.6 x 36.2 cm)	1.75" x 17" x 11.25" (4.4 x 43.2 x 28.6 cm)
Shipping Dimensions	7.25" x 21.75" x 19.0" (18.4 x 54.6 x 48.3 cm)	5.25" x 21" x 18" (13.3 x 53.3 x 45.7 cm)
Shipping Weight	13.7 lbs (6.21 Kg)	16.1 lbs (7.3 Kg)
AC Power	100-240 VAC Autosensing	100-240 VAC Autosensing
Power Consumption	U.S. 60 Watts (860 Cal/min or 205 BTU/hrK 0.5 w d0361 1.114 Td 7)27(.S5 60)36(W)33(a)4(tts max),in)1-0.449 -1 Td 7105 Bts max)	



Address: 505 Fifth Avenue South, Suite 500, Seattle, WA 98104 • Web: www.watchguard.com • U.S. Sales: 1.800.734.9905 • International Sales: +1.206.613.0895

No express or implied warranties are provided for herein. All specifications are subject to change and expected future products, features or functionality will be provided on an if and when available basis. ©2010 WatchGuard Technologies, Inc. All rights reserved. WatchGuard, the WatchGuard logo, and LiveSecurity are either trademarks or registered trademarks of WatchGuard Technologies, Inc. in the United States and/or other countries. All other tradenames are the property of their respective owners. Part No. WGCE66629_051410